

PASS-THROUGH BARRIER WASHERS EXTRACTORS

DBW 27 ET2
DBW 35 ET2
DBW 50 ET2



EASY TOUCH 2

- User friendly and fully programmable 7" screen,
- USB connection. PC software free of charge for programming, traceability, data analysis...
- Remote communication ready,
- 37 available languages,
- 8 dosing signals as standard.



OUTSTANDING FEATURES

- Automatic positioning of drum with brake,
- Ready to be connected to dosing pumps,
- WET CLEANING features as standard
- Traceability as standard
- Double display



ERGONOMICS

- Huge doors opening (DBW 35: drum 640 x 515 mm, vat 700 x 650 mm),
- Easy friendly drum opening with push button,
- Height of loading at 800 mm (door bottom).



CONNECTIVITY

- Remote communication ready as standard,
- Management of the laundry : equipped with RS-485 port for external management with Danube Software or others



EFFICIENCY

- Intelligent weighing system,
- Optimal loading: water and chemicals adapted to the load,
- Water recovery tanks ready (27 and 35 kg models),
- High G force 375
Reduced residual moisture, reduced drying time



EASY MAINTENANCE

- Electric part on left side, mechanics on right side, connections on the top : easy access, easy to connect,
- Central drain as standard,
- Technical menu: statistics, alarms, traceability...



OTHERS

- Pass-through barrier washer with 2 opposed doors,
- Panels in grey skinplate,
- Drum and vat in AISI 304 stainless steel,
- Free standing: no need to be anchored to the floor,
- 3 water inlets,
- Ready to be connected to dosing pumps as standard,
- Imbalance electronic control with frequency inverter.



OPTIONS

- Automatic weighing system on feet.
- Relay card with 6 extra dosing signals: total of 14 signals.
- Stainless steel sanitary frame with rubber.
- 4 compartments detergent box kit.
- Dual electric / steam heating.
- Second drain valve for water recovery.
- 3rd water inlet.
- Side drain valve.
- Titration valve.
- Plinths for loading height at 850 mm (door base).
- UPS kit to release drum brake in case of power failure.
- Low steam pressure (0,5 bar).
- Printer.
- Danube Online communication kit.
- Panels in AISI-304 stainless steel.
- Ship voltage for electric model: 440V III 50/60 Hz no neutral

TECHNICAL DATA	UNIT.	DBW 27 ET2	DBW 35 ET2	DBW 50 ET2
DRUM				
Capacity 1:9 / 1:10	Kg	30 / 27	39 / 35	54 / 49
Volume	l	266	347	489
Diameter	mm	800	800	800
Depth	mm	530	690	974
Number of compartments	Nº.	1	1	1

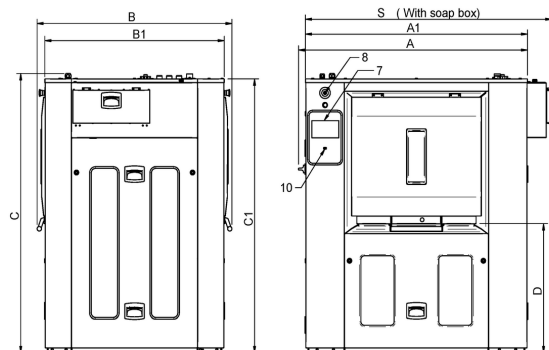
GENERAL DETAILS				
Washing speed / Spining speed	r.p.m.	45 / 920	45 / 920	45 / 920
G Factor	-	375	375	375
Maximum force transmitted	KN	8,86	9,26	10,63
Frequency-dynamic force	Hz	15,4	15,4	15,4
Sound level	dB	< 70	< 70	<70
Double drain	-	Opt	Opt	Opt
Weighing System	-	Opt	Opt	Opt

DOOR				
Height base door	mm	800	800	800
Drum opening dimensions	mm	480 x 515	640 x 515	640 x 515
Vat opening dimensions	mm	542 x 650	700 x 650	700 x 650

POWER				
Motor	kW	4	4	5,5
Electric heating	kW	18	27	36
Max. power (Electric model)	kW	22	31	41,5
Max. power (Hot water model)	kW	4	4	5,5
Max. power (Steam model)	kW	4	4	5,5

CONNECTIONS		ELECTRIC		STEAM / HOT WATER		ELECTRIC		STEAM / HOT WATER	
Tension 230V- I + N + T	Nº x mm2 / A	-	3 x 1,5 / 6A	-	-	-	-	-	-
Tension 230V- III + T	Nº x mm2 / A	4 x 10 / 40A	-	4x16 / 100A	4x2,5 / 10A	4x25 / 125A	4x2,5 / 10A		
Tension 400V- III + N + T	Nº x mm2 / A	5 x 6 / 25A	-	5 x 10 / 50A	5x2,5 / 16A	5x16 / 63A	5x2,5 / 16A		
Steam inlet (Steam mod.)	inch		3/4"		3/4"		3/4"		
Max. steam consumption (Steam mod.)	Kg/h		10,25		16,3		23,3		
Water inlet	inch		1"		1"		1"		
Water main pressure	Kgs/cm ²		3-5		3-5		3-5		
Maximum water consumption*	Lit/h		210		260		450		
Drain	mm/inch		3"		3"		3"		
Drainage capacity	Lit/min		160		160		160		

DIMENSIONS / PACKING DIMENSIONS				
Width / Width	mm	1.201 / 1.282	1.359 / 1.440	1.654 / 1.740
Depth / Depth	mm	1.098 / 1.300	1.098 / 1.300	1.098 / 1.300
Height / Height	mm	1.580 / 1.730	1.580 / 1.730	1.580 / 1.730
Net weight / Gross weight	kg	886 / 906	926 / 946	1.063 / 1.085



* N°2 Program, 100% load

01. Electrical connexion
02. Cold water
03. Soft water
04. Hot wather
05. Liquid products inlet
06. Main switch
07. Control panel
08. Emergency stop
09. Door opening
10. USB port
11. Dosing pumps connexion
12. Steam inlet
13. Exhaust
14. Cold water detegent box

	A	B	C	A1	B1	C1	D	E	F	G	H	I	J	K	L	M	N	O	P	Q	R	S	T	U
DBW 27	1244	1193	1612	1201	1098	1581	745	152	185	212	277	337	397	482	956	163	103	126	956	1499	1059	1350	263	45
DBW 35	1402	1193	1612	1359	1098	1581	745	152	185	212	277	337	397	482	956	163	103	126	956	1499	1059	1508	263	45
DBW 50	1697	1193	1612	1654	1098	1581	745	152	185	212	277	337	397	482	956	163	103	126	956	1499	1059	1803	263	45