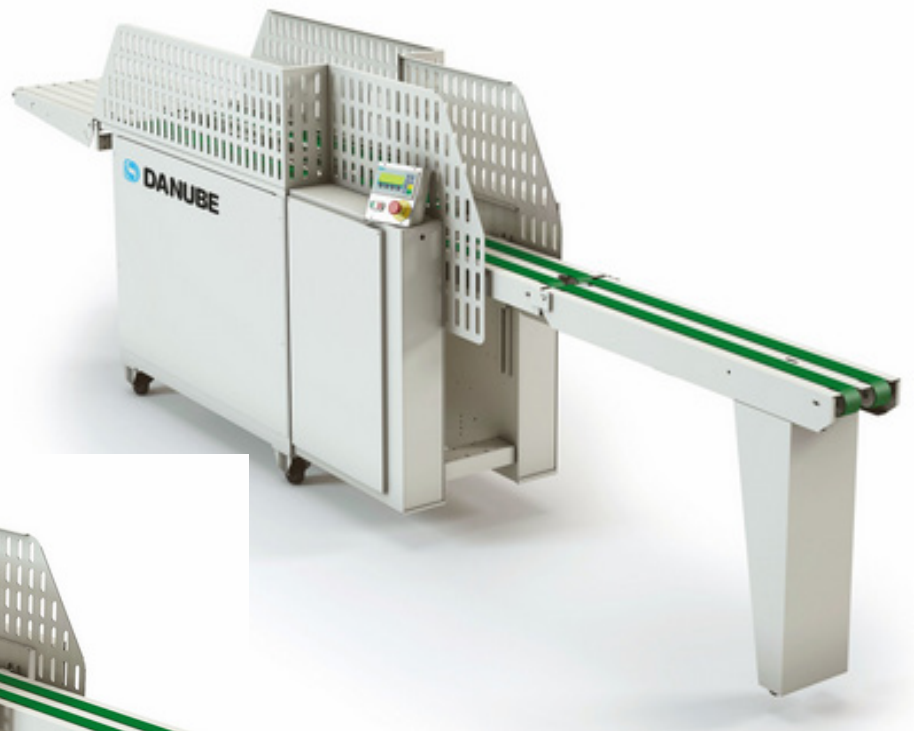
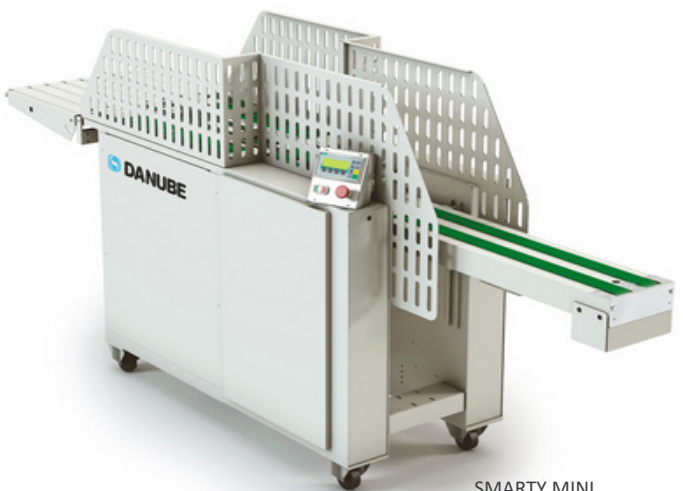


## NAPKIN FOLDER

SMARTY  
SMARTY MINI



SMARTY



SMARTY MINI

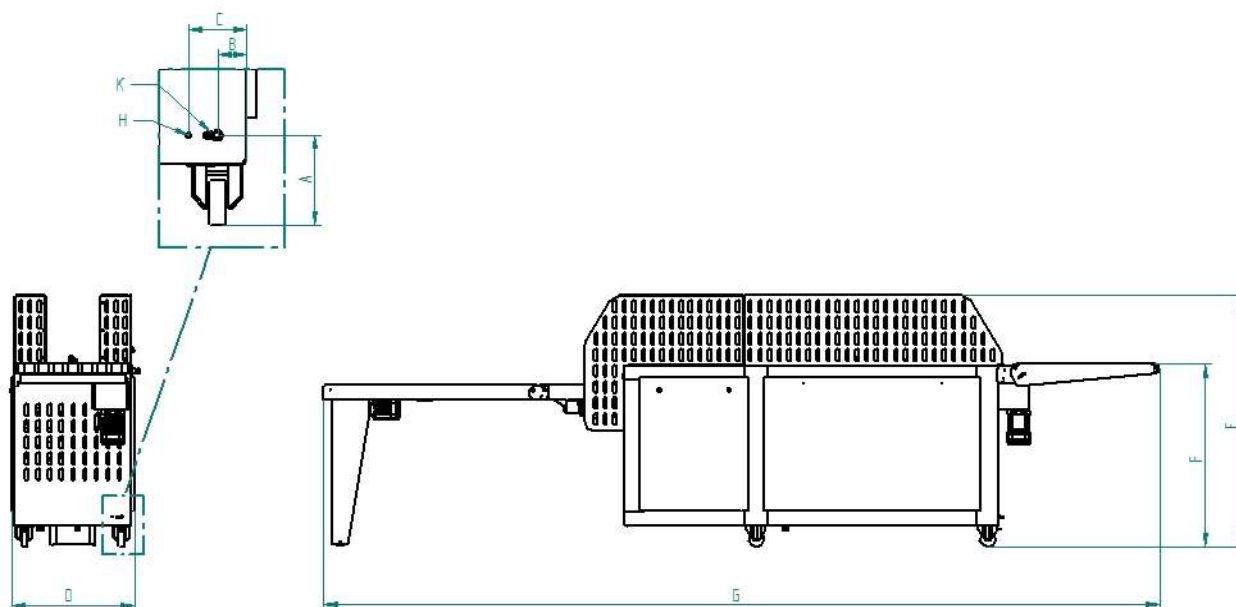


- Maximum output: around 900-1200 pieces/hour.
- Maximum linen size :
  - For SMARTY: 570 x 1000 mm
  - For SMARTY MINI: 570 x 600 mm
- Working table with vacuum unit
- PLC microprocessor, up to 20 programs, to allow to adapt of the pieces size.
- Alarms and message in display.
- Transport belts in rubber and cotton.
- Automatic measurement of linen.
- Partial or total pieces counter.

### OPTIONS

- Special voltage

| TECHNICAL DATA         | UNIT.   | SMARTY              | SMARTY MINI         |
|------------------------|---------|---------------------|---------------------|
| <b>GENERAL DETAILS</b> |         |                     |                     |
| Min. Towel size        | mm      | -                   | -                   |
| Max. Towel size        | mm      | 570 x 1.000         | 570 x 600           |
| Output                 | units/h | 1.200               | 900                 |
| Electric power         | kW      | 1,07                | 0,98                |
| Compressed air         | NI/h    | 5.200               | 5.200               |
| Net dimensions         | mm      | 605 x 4.235 x 1.340 | 605 x 2.835 x 1.340 |
| Gross dimensions       | mm      | 650 x 3.350 x 1.540 | 650 x 2.860 x 1.540 |



K. Compressed air  
H. Electrical connection

|        | A   | B  | C   | D   | E     | F   | G     | K    |
|--------|-----|----|-----|-----|-------|-----|-------|------|
| SMARTY | 160 | 50 | 100 | 635 | 1.230 | 970 | 4.310 | Ø 12 |