



BARRIER WASHER EXTRACTORS

DBW-70 ET2

EASY TOUCH 2



7" touch screen easy to use and fully programmable
ET2, double display
Connection USB. PC software free of charge for programming, traceability, data analysis...
Videos on display (instructions...)
37 languages
8 dosing signals as standard

OUTSTANDING FEATURES



Automatic positioning of drum with motor brake
3 water inlets
WET CLEANING, traceability as standard
Dual heating (electric - steam) model available
G FACTOR 375

EFFICIENCY



Intelligent consumption, automatic adjustment and
Optimal loading, manual adjustment of water levels and detergents according to the load
High G factor : reduced residual moisture, reduced drying time
Water savings: 3 configurable levels of savings

CONNECTIVITY



Remote technical service
Management of laundry

ERGONOMICS



Huge loading and unloading doors opening
Easy drum opening by push button
Loading height (800 mm from door bottom)

MAINTENANCE



Electric elements on left side, mechanical ones on right side, connections on the top (protected from detergents and water splashes)
Central drain as standard
Technical menu : statistics, alarms, autotest, data recovery for technicians and maintenance

OTHERS



2 opposed doors
Grey skinplate outer casing.
Stainless steel AISI 304 top panel, vat and drum
Electronic control of imbalance with frequency inverter
Electric, steam or dual heating
CE approved



OPTIONS

- Automatic weighing system on feet
- 6 extra dosing signals
- Printer
- Low steam pressure
- Double drain
- Titration valve
- Side drain valve
- 4 compartments detergent box kit
- UPS protection kit in case of power failure
- Stainless steel AISI 304 outer casing
- Plinth for loading height at 850 mm (door base)
- Stainless steel sanitary frame
- End of cycle light alarm
- Marine voltage 440V/60Hz/III without Neutral (electric models)
- Other voltage 230V III 50-60 Hz



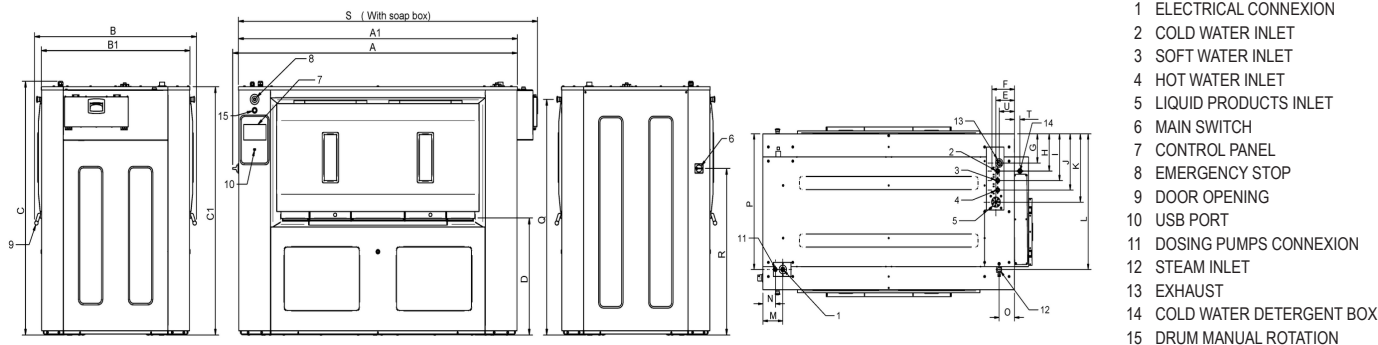
Intertek



Intertek

TECHNICAL DATA	UNIT.	DBW-70 ET2	
DRUM			
Capacity 1:9 / 1:10	Kg	78 / 70	
Volume	l	694	
Diameter	mm	800	
Depth	mm	1.380	
No of drum compartment	No	2	
GENERAL DETAILS			
Washing / spin speed	r.p.m.	45 / 920	
G Factor	-	375	
Dynamic force	KN	5,24	
Dynamic force frequency	Hz	15,4	
Sound level	dB	<70	
Double drain	-	OPT	
Weighing system	-	OPT	
DRUM			
Height door bottom	mm	790	
Drum opening dimensions	mm	640 x 515 (x2)	
Vat opening dimensions	mm	1.402 x 650 (x2)	
POWER			
Motor	kW	7,5	
Electric heating	kW	45	
Total electric power (elec mod)	kW	52,5	
Total electric power (steam mod)	kW	7,5	
CONNECTIONS		ELECTRIC DUAL	STEAM
Tension 230V - I + N + T	N° x mm2 / A	-	-
Tension 230V - III + T	N° x mm2 / A	4 x 35 / 160A	4 x 2,5 / 16A
Tension 400V - III + N + T	N° x mm2 / A	5 x 16 / 80A	5 x 1,5 / 10A
steam inlet (steam mod)	Inch	3/4"	
Max. steam consumption (steam models)	Kg/h	34,2	
Water inlet	Inch	1"	
Water pressure	Kgs/cm ²	3-5	
Max. water consumption*	Lit/h	720	
Drain	Inch	3"	
Drain flow	Lit/min	160	
DIMENSIONS / PACKING DIMENSIONS			
Net width / Gross width	mm	2.061 / 2.310	
Net depth / Gross depth	mm	1.098 / 1.300	
Net height / Gross height	mm	1.581 / 1.742	
Net weight / Gross weight	kg	1.190 / 1.220	
Volume	m3	3,57 / 5,23	

* Programme N°20, load 75%



	A	B	C	A1	B1	C1	D	E	F	G	H	I	J	K	L	M	N	O	P	Q	R	S	T	U
DBW 70	2104	1196	1612	2061	1098	1581	790	152	138	206	263	330	397	482	956	163	103	126	956	1499	1059	2210	45	125