



DD-BASIC EM TUMBLE DRYERS

DD-11 / 14 / 16



EM PROGRAMMER

Easy-to-use electronic control with push buttons to control temperature and time



OUTSTANDING FEATURES

Reversing drum action as standard
Galvanized drum as standard
Frequency inverter as standard



EFFICIENCY

Big fluff filter



VERSATILITY

Make to order - customisation
OPL > Multivending - Standard OPL model easily transformable to coin laundry uses



ERGONOMICS

Drawer as fluff filter, made of stainless steel
Biggest door diameters
Opening sense of door adjustable on site



MAINTENANCE

Hinged panel: easy and ergonomic access
Technical menu: statistics, alarm, autotest, data recovery for technicians and maintenance with external console

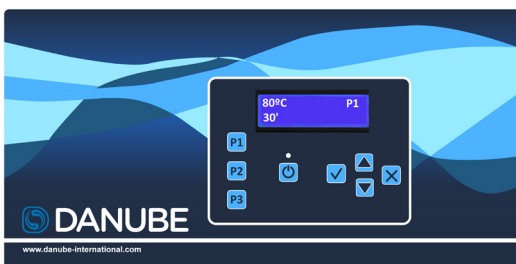


OTHERS

White painted panels
Transmission by direct drive
COOL DOWN - anti-wrinkle at the end of the cycle
Electric or gas heating
CE approved



EM programmer + new display



OPTIONS

- New display for EM programmer
- Reverse door opening
- Rear panel with external air inlet + filter
- Stainless steel outer casing
- Stainless steel front panel



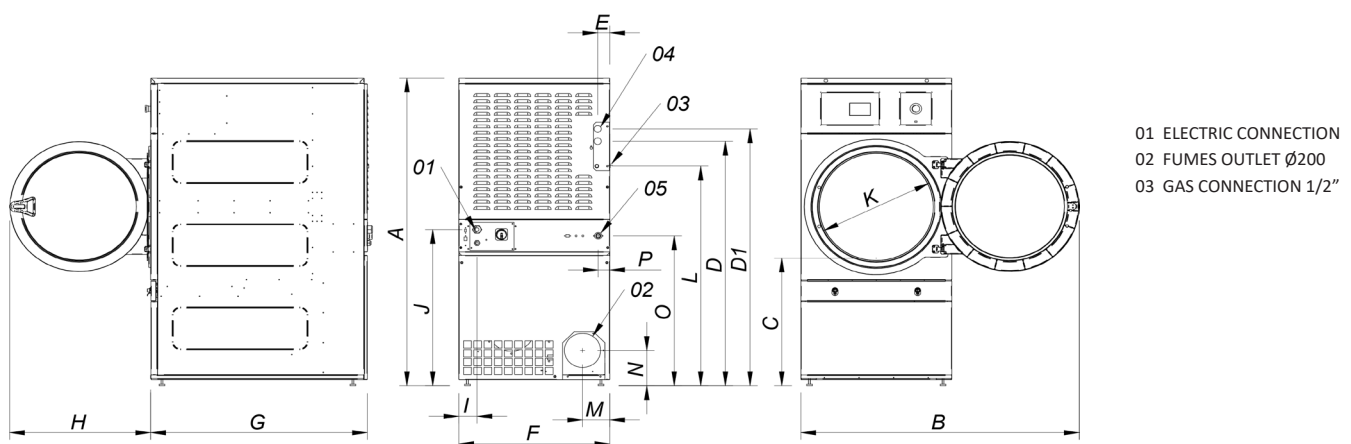
Intertek



Intertek

TECHNICAL DATA	UNIT.	DD-11 BASIC EM	DD-14 BASIC EM	DD-16 BASIC EM			
CAPACITY							
Capacity 1/18	Kg	12	15	18			
Capacity 1/20	Kg	11	13,50	17			
Hourly Output BASIC*	Kg/h	23-21	34-30	35-33			
Evaporation capacity BASIC*	l/h	14,50	15,40	16,30			
DRUM							
Ø Drum	mm	750	750	750			
Ø Door	mm	574	574	574			
Door center height	mm	976	976	976			
Load hole bottom height	mm	689	689	689			
Drum length	mm	475	610	746			
Drum volume	l	210	270	330			
POWER							
Drum motor power	Kw	0,37	0,37	0,37			
Fan motor power BASIC	Kw	0,25	0,25	0,25			
Electric heating power ALL RANGES	Kw	12	18	18			
Total electric power (elec.model) BASIC	Kw	12,67	18,67	18,67			
Gas heating power ALL RANGES	Kw	20,51	20,51	20,51			
Total electric power (gas model) BASIC	Kw	0,67	0,67	0,67			
Gas heating power ALL RANGES	Kw	-	-	-			
Elect. heating power (gas model) BASIC	Kw	-	-	-			
CONNECTIONS		ELECTRICAL	GAS	ELECTRICAL	GAS	ELECTRICAL	GAS
Tension 230V - I + N + T	N° x mm2 / A	3 x 35 / 63A	3 x 1,5 / 20A	-	3 x 1,5 / 20A	-	3 x 1,5 / 20A
Tension 230V - III + T	N° x mm2 / A	4 x 10 / 40A	3 x 1,5 / 20A	4 x 16 / 63A	3 x 1,5 / 20A	4 x 16 / 63A	3 x 1,5 / 20A
Tension 400V - III + N + T	N° x mm2 / A	5 x 4 / 25A	3 x 1,5 / 20A	5 x 10 / 32A	3 x 1,5 / 20A	5 x 10 / 32A	3 x 1,5 / 20A
Ø Gas inlet	BSP	1/2"		1/2"		1/2"	
DIMENSIONS / PACKING DIMENSIONS							
Net width / Gross width	mm	785 / 865		785 / 865		785 / 865	
Net Depth / Gross Depth	mm	855 / 940		989 / 1.074		1.125 / 1.210	
Net Height / Gross Height	mm	1.694 / 1.840		1.694 / 1.840		1.694 / 1.840	
Height without heating battery	mm	-		-		-	
Net weight / Gross weight	Kg	172 / 180		180 / 190		187 / 200	
OTHERS							
Max airflow BASIC	m3/h	850		850		850	
Ø Fume exhaust	mm	200		200		200	
Sound level BASIC	dB	64		64		64	

* It may vary depending on the type of heating, filter cleanliness or extraction type.



	A	B	C	D	D1	E	E1	F	G	H	I	J	K	L	M	N	O	P
DD-11	1694	1447	689	1354	1422	68	68	785	855	735	95	870	575	1226	133	180	830	65
DD-14	1694	1447	689	1354	1422	68	68	785	989	735	95	870	575	1226	133	180	830	65
DD-16	1694	1447	689	1354	1422	68	68	785	1125	735	95	870	575	1226	133	180	830	65