



DD-SILVER ET2

TUMBLE

DRYERS

DD-23 / 28 / 35

### EASY TOUCH 2

7" touch screen user friendly and programmable ET2  
USB Connection. PC software free of charge for programming, traceability, data analysis...  
Videos on display (ads, instructions, etc.)  
37 languages



### OUTSTANDING FEATURES

Reversing drum action as standard  
Stainless steel drum as standard  
Frequency inverter as standard



### EFFICIENCY

DOUBLE FLOW - mixed axial-radial airflow  
Big fluff filter



### VERSATILITY

Make to order - customisation  
WET CLEANING  
OPL > Multivending - Standard OPL model easily transformable to coin laundry uses



### CONNECTIVITY

Remote technical service  
Management of laundries: OPL and COIN  
Remote payment



### ERGONOMICS

Drawer as fluff filter, made of stainless steel  
Biggest door diameters  
Opening sense of door adjustable on site



### MAINTENANCE

Hinged panel: easy and ergonomic access  
Technical menu: statistics, alarm, autotest, data recovery for technicians and maintenance



### OTHERS

Grey skinplate outer casing, stainless steel look  
SOFT DRY - new drum with stamped holes  
COOL DOWN - anti-wrinkle at the end of the cycle  
Electric, gas and steam heating  
CE approved



## OPTIONS

- CARE DRY - Intelligent humidity control with new drum inlet temperature control
- Double doorglass
- Reverse door opening
- SPRINKLER - Integrated Fire Extinguishing System
- New perfumes dosing / vaporizing system
- Printer
- Danube Online IoT communication
- Tropicalized model
- Stainless steel outer casing
- Stainless steel front panel
- Stainless steam battery
- Low pressure steam battery
- Fluff filter with grid 0,6 or 1,2 mm (standard is 0,3 mm)
- Rear panel with external air inlet + filter



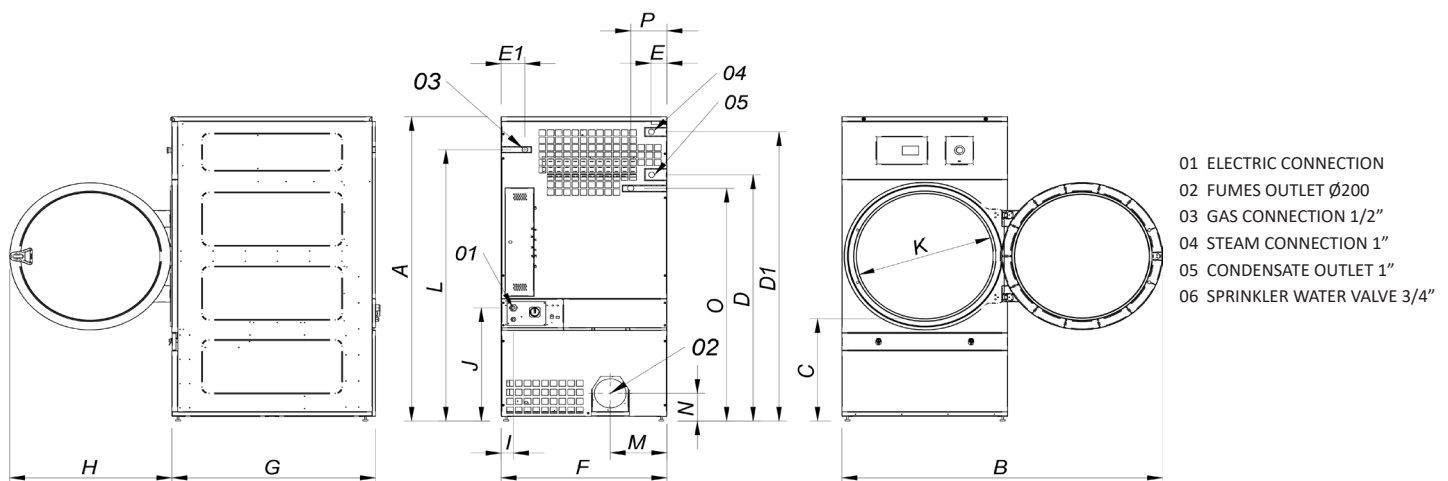
Intertek



Intertek

TECHNICAL DATA	UNIT.	DD-23 SILVER ET2	DD-28 SILVER ET2	DD-35 SILVER ET2			
<b>CAPACITY</b>							
Capacity 1/18	Kg	26	31	37			
Capacity 1/20	Kg	23	28	33			
Hourly Output SILVER*	Kg/h	41-35	56-53	70-65			
Evaporation capacity SILVER*	l/h	20,40	30,90	32,10			
<b>DRUM</b>							
Ø Drum	mm	855	947	947			
Ø Door (load hole)	mm	574	802	802			
Door center height	mm	1.030	1.040	1.040			
Load hole bottom height	mm	743	640	640			
Drum length	mm	800	780	936			
Drum volume	l	460	550	660			
<b>POWER</b>							
Drum motor power	Kw	0,37	0,55	0,55			
Fan motor power SILVER	Kw	0,55	0,55	0,55			
Electric heating power ALL RANGES	Kw	24	30	36			
Total electric power (elec.model) SILVER	Kw	24,97	31,15	37,15			
Gas heating power ALL RANGES	Kw	31	41	41			
Total electric power (gas model) SILVER	Kw	0,97	1,15	1,15			
Steam heating power ALL RANGES	Kw	49,20	50,10	50,10			
Total electric power (steam model) SILVER	Kw	0,97	1,15	1,15			
<b>CONNECTIONS</b>							
		<b>ELECTRICAL</b>	<b>STEAM / GAS</b>	<b>ELECTRICAL</b>	<b>STEAM / GAS</b>	<b>ELECTRICAL</b>	<b>STEAM / GAS</b>
Tension 230V - I + N + T	Nº x mm2 / A	-	3 x 1,5 / 20A	-	3 x 1,5 / 20A	-	3 x 1,5 / 20A
Tension 230V - III + T	Nº x mm2 / A	4 x 25 / 80A	3 x 1,5 / 20A	4 x 35 / 100A	3 x 1,5 / 20A	4 x 50 / 125A	3 x 1,5 / 20A
Tension 400V - III + N + T	Nº x mm2 / A	5 x 10 / 40A	3 x 1,5 / 20A	5 x 16 / 63A	3 x 1,5 / 20A	5 x 16 / 63A	3 x 1,5 / 20A
Ø Gas inlet	BSP	1/2"		1/2"		1/2"	
Ø Steam inlet	BSP	1"		1"		1"	
Ø Condensed (Steam models)	BSP	1"		1"		1"	
<b>DIMENSIONS / PACKING DIMENSIONS</b>							
Net Width / Gross Width	mm	890 / 970		985 / 1.065		985 / 1.065	
Net Depth / Gross Depth	mm	1.255 / 1.345		1.054 / 1.154		1.210 / 1.310	
Net Height / Gross Height	mm	1.812 / 1.940		1.946 / 2.080		1.946 / 2.080	
Height without heating battery	mm	-		-		-	
Net weight / Gross weight	Kg	210 / 230		230 / 260		260 / 285	
<b>OTHERS</b>							
Max airflow SILVER	m3/h	1.500		1.200		1.200	
Ø Fume exhaust	mm	200		200		200	
Sound level SILVER	dB	65		65		65	

\* It may vary depending on the type of heating, filter cleanliness or extraction type.



	A	B	C	D	D1	E	E1	F	G	H	I	J	K	L	M	N	O	P
DD-23	1812	1552	743	1430	1532	112	55	890	1255	735	95	920	575	1344	238	180	885	65
DD-28	1946	1910	660	1590	1875	102	130	985	1054	970	70	730	802	1760	337	178	1510	215
DD-35	1946	1910	660	1590	1875	102	130	985	1210	970	70	730	802	1760	337	178	1510	215