



WALL IRONERS

Ø 180 MM

R2D18/100 - R2D18/120



ELECTRONIC PROGRAMMER

Simple and user friendly : Start/stop button, selection of 4 temperatures
Preset ironing speeds, not adjustable



FEATURES

Large roll contact area with the linen
Roll lifting control by pedal
Two available models:
Standard: roll with cotton polyester coating
Nomex: roll with Nomex coating



ROBUSTNESS

Nomex quality coating: resistant to high temperatures
Panels in grey skinplate and stainless steel
Wooden feeding board



EFFICIENCY

Acoustic comfort : <55 dB
Minimum space requirement: space saving, suitable for small spaces
Ideal for processing small quantity of flat linen in facilities like restaurants, guest rooms, hostels...



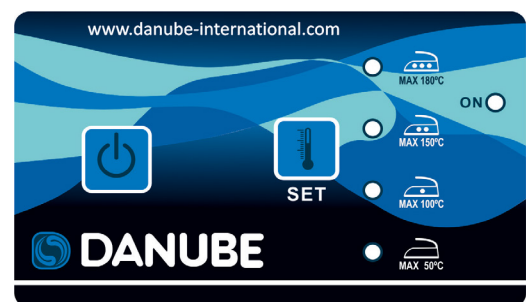
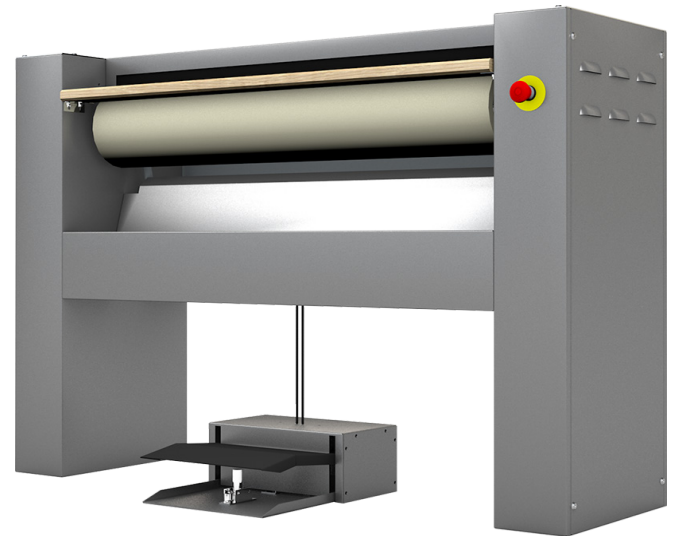
MAINTENANCE

Easy installation : requires only an electrical connection
Easy access on both sides for maintenance



OTHERS

Irons flat linen with recommended relative moisture between 5 and 10 % from a tumble dryer
Front feeding and return
Roll ø 180 mm
Working widths: 1.000 and 1.200 mm
Electric heating
CE certification



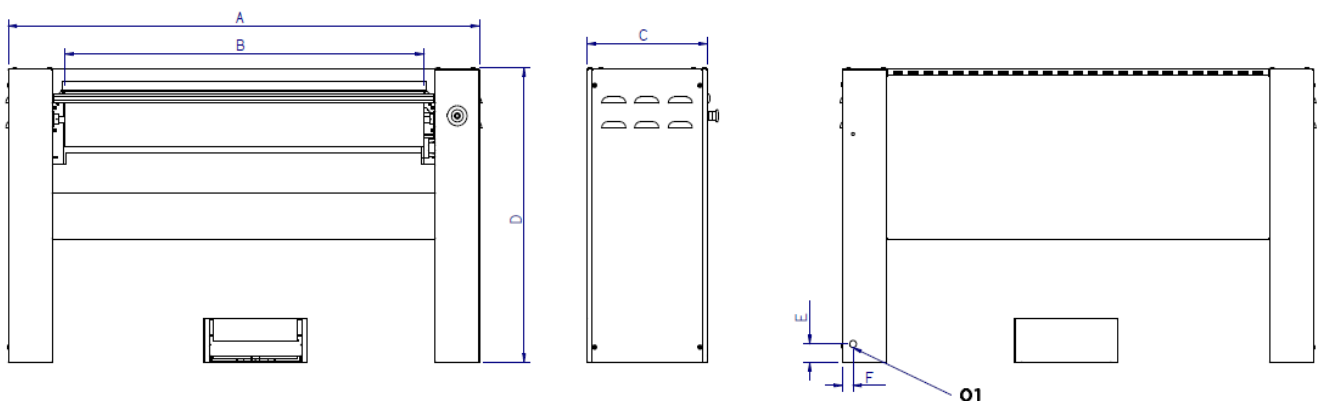
Intertek



Intertek

TECHNICAL DATA	UNIT.	R2D18/100	R2D18/120
GENERAL DATA			
Theoretical production*	Kg/h	15	20
Ø Roll	mm	180	180
Working width	mm	1.000	1.200
Ironing speed	m/min	2,02	2,02
Electronic programmer		YES	YES
Bed lifting		Manual by pedal	Manual by pedal
POWER			
Heating power	kW	3,3	4
Roll motor power	kW	0,029	0,029
Total electric power	kW	3,329	4,029
CONNECTIONS		ELECTRIC	ELECTRIC
Tension 230V - I + N + T	N°x mm ² /A	3 x 4 / 16A	3 x 4 / 20A
Tension 400V - III + N + T	N°x mm ² /A	-	-
DIMENSIONS / PACKING DIMENSIONS			
Net width / Gross width	mm	1.370 / 1.490	1.570 / 1.690
Net depth / Gross depth	mm	400 / 540	400 / 540
Net height / Gross height	mm	952 / 1.130	952 / 1.130
Net weight / Gross weight	kg	80 / 100	90 / 110
Volume	m ³	0,52 / 0,91	0,59 / 1,03
OTHERS			
Sound level	dB	55	55

*20 %-25 % residual moisture



01. Electrical connection

	A	B	C	D	E	F
R2D18/100	1.370	1.000	400	952	60	35
R2D18/120	1.570	1.200	400	952	60	35