



# WALL IRONERS

Ø 250 MM

R2D25/100 -120-140-200

## ELECTRONIC PROGRAMMER

Simple and user friendly : digital screen, precise control of temperature  
Preset ironing speeds, not adjustable

## FEATURES

Large roll contact area with the linen  
Automatic roll lifting control by photocell detection  
Two available models:  
Standard: roll with cotton polyester coating  
Nomex: roll with Nomex coating

## ROBUSTNESS

Nomex coating: resistant to high temperatures  
Panels in grey skinplate and stainless steel  
Wooden feeding table  
New kinematics: better reliability  
Industrial roll axle and bearings: more durable

## EFFICIENCY

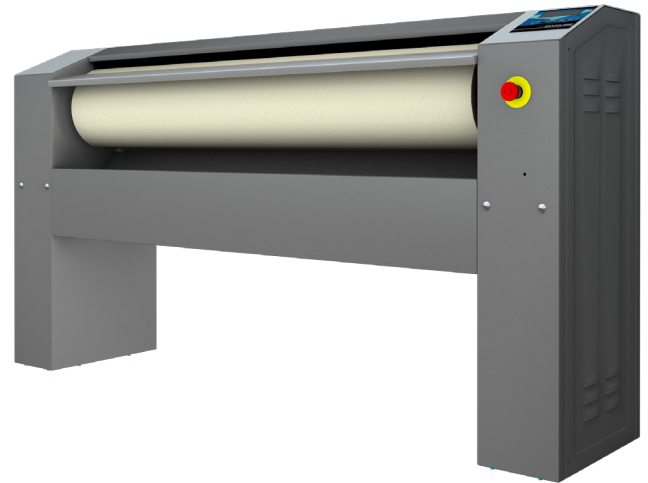
Acoustic comfort : 55 dB max  
Minimum space requirement: space saving, suitable for small spaces  
Ideal for processing small quantity of flat linen in facilities like restaurants, guest rooms, hostels...

## MAINTENANCE

Easy installation : requires only an electrical connection  
Easy access on both sides for maintenance  
Quick and easy dismantling of bearings

## OTHERS

Irons flat linen with recommended relative moisture between 5 and 10 % from a tumble dryer  
Front feeding and return  
Roll ø 250 mm  
Working widths: 1.000, 1.200 ,1.400 and 2.000 mm  
Electric heating  
CE certification



## OPTIONS

- Pedal control kit (instead of photocell)
- Marine voltage 440V III 60 Hz without N
- other voltage 230V III 50-60 Hz



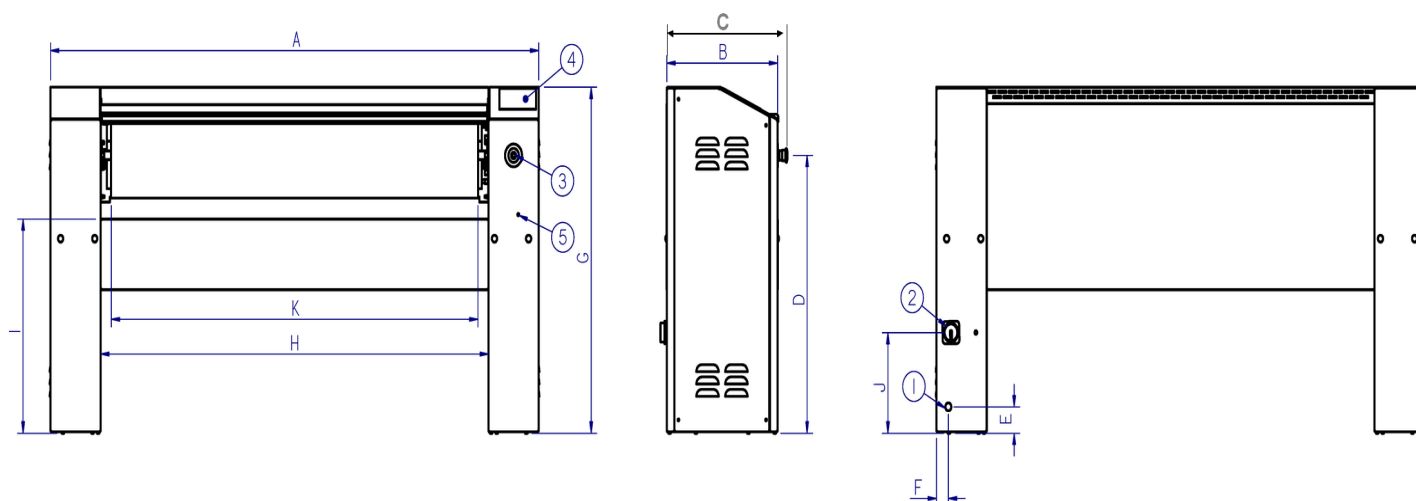
Intertek



Intertek

TECHNICAL DATA	UNIT.	R2D25/100	R2D25/120	R2D25/140	R2D25/200
<b>GENERAL DATA</b>					
Theoretical production*	Kg/h	30	35	40	55
Ø Roll	mm	250	250	250	250
Working width	mm	1.000	1.200	1.400	2.000
Ironing speed	m/min	4,2	4,2	4,2	4,2
Electronic programmer		YES	YES	YES	YES
Bed lifting		auto. by photocell	auto. by photocell	auto. by photocell	auto. by photocell
<b>POWER</b>					
Heating power	kW	4,95	6	7	12
Roll motor power	kW	0,18	0,18	0,18	0,18
Total electric power	kW	5,13	6,18	7,18	12,18
<b>CONNECTIONS</b>		<b>ELECTRIC</b>		<b>ELECTRIC</b>	
Tension 230V - I + N + T	N°x mm²/A	3 x 6 / 25A	3 x 6 / 32A	3 x 10 / 40A	3 x 16 / 63A
Tension 230V - III + T	N°x mm²/A	4 x 2,5 / 16A	4 x 4 / 20A	4 x 4 / 20A	4 x 6 / 32A
Tension 400V - III + N + T	N°x mm²/A	5 x 2,5 / 10A	5 x 2,5 / 10A	5 x 2,5 / 16A	5 x 4 / 20A
<b>DIMENSIONS / PACKING DIMENSIONS</b>					
Net width / Gross width	mm	1.462 / 1.490	1.662 / 1.690	1.862 / 1.892	2.462 / 2.490
Net depth / Gross depth	mm	484 / 540	484 / 540	484 / 540	484 / 540
Net height / Gross height	mm	985 / 1.130	985 / 1.130	985 / 1.130	985 / 1.130
Net weight / Gross weight	kg	114 / 124	124 / 134	134 / 154	164 / 184
Volume	m3	0,70 / 0,91	0,80 / 1,03	0,89 / 1,15	1,17 / 1,51
<b>OTHERS</b>					
Sound level	dB	55	55	55	55

\*20 %-25 % residual moisture



- 01. Electrical connection
- 02. Main switch
- 03. Emergency stop
- 04. Control panel
- 05. access to inverter maintenance

	A	B	C	D	E	F	G	H	I	J	K
R2D25/100	1.462	423	484	791	75	45	985	1.079	610	287	998
R2D25/120	1.662	423	484	791	75	45	985	1.279	610	287	1.198
R2D25/140	1.862	423	484	791	75	45	985	1.479	610	287	1.398
R2D25/200	2.462	423	484	791	75	45	985	2.079	610	287	1.998