



# WEN-11/14 ET2 NORMAL SPIN WASHER EXTRACTORS



## EASY TOUCH 2

7" touch screen, user-friendly and fully programmable  
Connection USB. Free software online for programming,  
telemetry, data analysis...  
Videos display (ads, instructions...)  
37 available languages  
8 dosing signals as standard.



## G FACTOR

**G factor 200:** high G factor for low spin washers, reduced  
residual moisture, reduced drying time, energy savings



## EFFICIENCY

Optimized consumption: automatic or manual adjustment  
of water levels and detergents according to the load  
Water Saving system: 3 configurable levels of savings



## VERSATILITY

OPL <> SELF-SERVICE  
ELECTRIC <> HOT WATER  
MAKE TO ORDER: possibility to customize  
WET CLEANING as standard



## CONNECTIVITY

**Communication Danube Online - IoT as standard**  
Remote technical service  
Management of laundry  
Multi-payment system



## ERGONOMICS

Big aluminium door ø 373 mm  
Easy door lock system



## MAINTENANCE

Hinged panel: easy access to parts  
Same parts for all the models: electronic components,  
gear, inverter, contactors  
Technical menu: statistics, errors...



## OTHERS

Hard mounted washers to be anchored to the floor  
Stainless steel vat and drum, skinplate outer casing  
3 water inlets  
4 compartments detergents box  
Imbalance controlled by frequency inverter  
CE and WRAS certificates. ETL option.

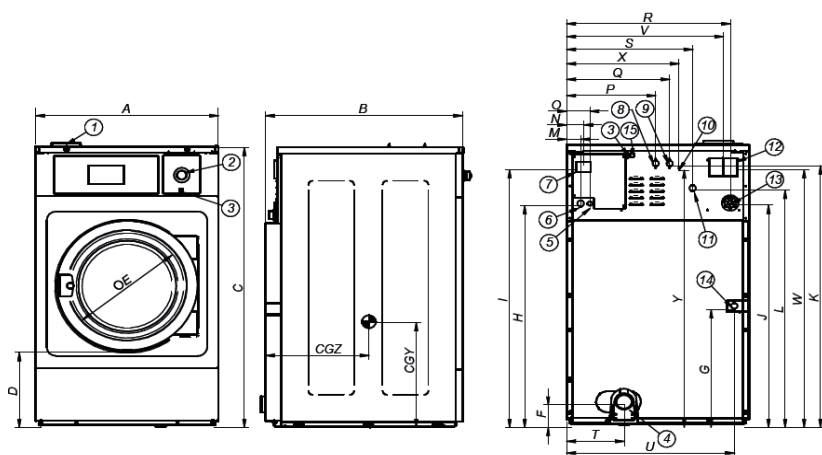


## OPTIONS

- 2 dosing pumps kit DQ-2
- Additional dosing pump DB-1
- Double drain (3" external kit for WEN-11-14)
- SLUICE: model with 8 mm drum holes
- Anchoring base
- Normally closed valve
- AQUA FLOW bath recirculation kit
- 6 additional dosing signals
- Silicone door gasket
- Reversing door opening
- Tropicalized model (ET2)
- Steam transformation kit
- AISI-304 stainless steel outer casing or front panel
- Automatic door unlock device (in case of power failure)
- Coin kits: tokens or coins meter + box, central pay
- Other tensions

TECHNICAL DATA	UNIT.	WEN-11 ET2	WEN-14 ET2		
<b>DRUM</b>					
Capacity 1:9 / 1:10	kg	11 / 10	14 / 13		
Volume	l	100	130		
Diameter	mm	620	620		
Depth	mm	330	430		
<b>GENERAL DATA</b>					
Washing / extraction speed	r.p.m.	53 / 759	53 / 759		
G factor	-	200	200		
Maximum force transmitted	KN	2,0 ±3	2,31 ±4		
Frequency dynamic force	Hz	8,93	8,93		
Sound level	dB	<70	<70		
Self-service version	-	YES	YES		
Double drain	-	OPT (External)	OPT (external)		
Weighing / Tilting system	-	NO / NO	NO / NO		
Sluice option	-	YES	YES		
<b>DOOR</b>					
Height center / base door	mm	570 / 310	570 / 310		
Diameter	mm	373	373		
<b>POWER</b>					
Motor	kW	1,1	1,1		
Heating (Elec. models)	kW	6	9		
Max. elec. power (Elec. models)	kW	6,25	9,5		
Max. elec. power (steam or hot w.)	kW	1,1	1,1		
<b>CONNECTIONS</b>					
		ELECTRIC	STEAM / HOT WATER	ELECTRIC	STEAM / HOT WATER
Tension 230V - I + N + T	Nº x mm2 / A	2 x 6 / 40A	2 x 1,5 / 16A	2 x 10 / 50A	2 x 1,5 / 16A
Tension 230V - III + T	Nº x mm2 / A	3 x 2,5 / 20A	-	3 x 2,5 / 20A	-
Tension 400V - III + N + T	Nº x mm2 / A	4 x 1,5 / 16A	-	4 x 1,5 / 16A	-
Steam inlet (steam mod.)	Inch	1/2"		1/2"	
Max. steam consumption	Kg/h	7		8,5	
Water inlet	Inch	3/4"		3/4"	
Water pressure	Kgs/cm <sup>2</sup>	2-4		2-4	
Maximum water consumption*	Lit/h	61,5		78,8	
Drain	Inch	3"		3"	
Drain flow	Lit/min	200		200	
<b>DIMENSIONS / PACKING DIMENSIONS</b>					
Net / gross length	mm	719 / 800			719 / 800
Net / gross depth	mm	684 / 990			830 / 990
Net / gross height	mm	1.158 / 1.350			1.158 / 1350
Net / gross weight	kg	217 / 225			239 / 247
Volume	m3	1,07			1,07

\* N°20 Program, 75% load



1. SOAP DISPENSER
2. EMERGENCY STOP
3. USB PORT
4. DRAIN
5. ELECTRIC CONNECTION TO LIQUID SOAP PUMPS
6. ELECTRICAL CONNECTION
7. MAIN SWITCH
8. AUXILIAR WATER INLET
9. HOT WATER INLET
10. EQUIPOTENTIAL CONNECTION
11. COLD WATER INLET
12. BLUR OUTPUT / WATER OVERLOAD
13. LIQUID SOAP CONNECTION
14. STEAM CONNECTION
15. ETHERNET PORT

	A	B	C	D	E	F	G	H	I	J	K	L	M	N	O	P	Q	R	S	T	U	V	W	X	Y	CGY	CGZ
WEN-11	719	697	1.158	310	373	144	440	886	1.054	889	1.073	958	61	74	101	316	376	637	475	211	654	607	1.053	416	1.053	383	511
WEN-14	719	840	1.158	310	373	144	440	886	1.054	889	1.073	958	61	74	101	316	376	637	475	211	654	607	1.053	416	1.053	484	524

