

DD-11 / 14 BASIC EM TUMBLE DRYERS



EM PROGRAMMER

Easy-to-use electronic control with push buttons to control temperature and time



OUTSTANDING FEATURES

Reversing drum action as standard
Galvanized drum as standard
Frequency inverter as standard



EFFICIENCY

Big fluff filter



VERSATILITY

Make to order - customisation
OPL > Multivending - Standard OPL model easily transformable to coin laundry uses



ERGONOMICS

Biggest door diameters
Opening sense of door adjustable on site



MAINTENANCE

Hinged control panel: easy and ergonomic access
Technical menu: statistics for technicians and maintenance with external console (with console option)
Easy to access to components



OTHERS

White painted panels
Transmission by direct drive
COOL DOWN - anti-wrinkle at the end of the cycle
Electric or gas heating
CE approved



OPTIONS

- EM programmer display

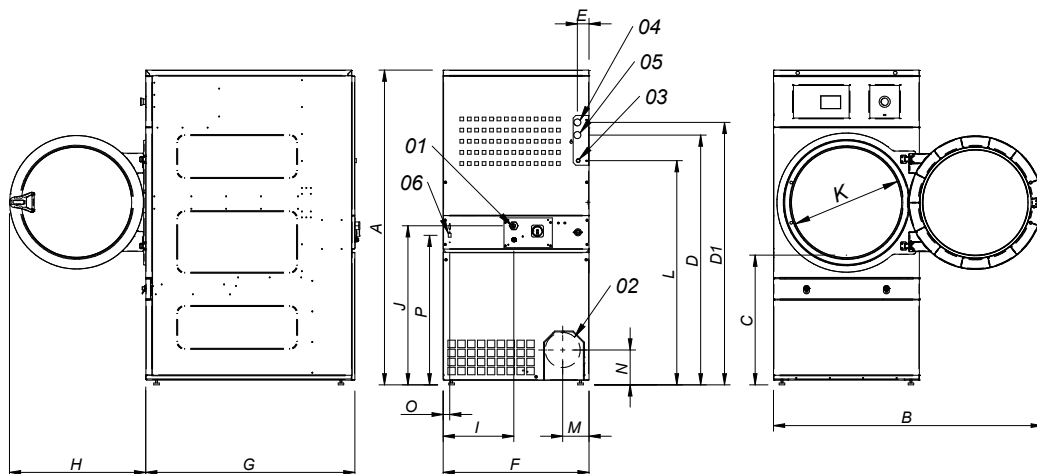


- Opposite door opening
- Back panel external air + filter
- Reduced power (12kw instead of 18kw) for electric heated DD-14 model
- Ship voltage for electric models: 440V III 50/60 Hz No neutral
- Other voltages available



Fluff filter

TECHNICAL DATA	UNIT.	DD-11-BASIC EM		DD-14-BASIC EM	
CAPACITY					
Capacity 1/18	Kg	11,7		15	
Capacity 1/20	Kg	10,5		13,5	
Hourly Output (electr. // gas)	Kg/h	20,3 // 28,6		26,9 // 30,3	
Evaporation capacity (electr. // gas)	l/h	9,3 // 14,5		13,5 // 15,4	
DRUM					
Ø Drum	mm	750		750	
Ø Door	mm	574		574	
Door center height	mm	976		976	
Door base height	mm	689		689	
Drum length	mm	475		610	
Drum volume	l	210		269	
POWER					
Drum motor power	kW	0,37		0,37	
Fan motor power	kW	0,25		0,25	
Electric heating power	kW	12		18	
Total electric power (elec.model)	kW	12,67		18,67	
Gas heating power	kW	20,51		20,51	
Instant propane gas consumption (G31)	kg/h	1,76		1,76	
Instant natural gas consumption (G20)	m3/h	2,17		2,17	
Total electric power (gas model)	kW	0,67		0,67	
Steam heating power	kW	30		30	
Total electric power (steam model)	kW	0,67		0,67	
CONNECTIONS					
		ELECTRICAL		GAS/STEAM	
Tension 230V - I + N + T	Nº x mm2 / A	3 x 25 / 63A		3 x 1,5 / 20A	
Tension 230V - III + T	Nº x mm2 / A	4 x 10 / 40A		4 x 16 / 63A	
Tension 400V - III + N + T	Nº x mm2 / A	5 x 4 / 25A		5 x 10 / 32A	
Ø Gas inlet	BSP	1/2"		1/2"	
DIMENSIONS / PACKING DIMENSIONS					
Net width / Gross width	mm	785 / 865		785 / 865	
Net Depth / Gross Depth	mm	855 / 940		989 / 1074	
Net Height / Gross Height	mm	1694 / 1840		1694 / 1840	
Height without heating battery	mm	-		-	
Net weight / Gross weight	Kg	172 / 180		180 / 190	
OTHERS					
Max airflow	m3/h	850		850	
Ø Fume exhaust	mm	200		200	
Sound level	dB	64		64	



- 01 POWER SUPPLY
- 02 FUMES OUTPUT Ø200
- 03 GAS INLET 1/2"
- 04 STEAM INLET 3/4"
- 05 CONDENSATE OUTLET 3/4"
- 06 ETHERNET CONNECTION (only available CONTROL ET2 models)

	A	B	C	D	D1	E	E1	F	G	H	I	J	K	L	M	N	O	P
DD-11	1694*	1447	689	1354	1422	68	68	785	855	735	380	870	575	1226	133	180	35	805
DD-14	1694*	1447	689	1354	1422	68	68	785	989	735	380	870	575	1226	133	180	35	805

* Measurement with legs mounted (30mm)

