

DD-45 / 60 / 80 SILVER ET2 TUMBLE DRYERS



EASY TOUCH 2

User friendly and totally programmable 7" ET2
USB Connection. Online platform free of charge for
programming, telemetry, data analysis
Videos on display (ads, instructions, etc.)
37 languages



OUTSTANDING FEATURES

Reversing drum action as standard
Stainless steel drum as standard
Frequency inverter as standard



EFFICIENCY

DOUBLE FLOW - mixed axial-radial airflow
Big fluff fill



VERSATILITY

Make to order - customisation
WET CLEANING



CONNECTIVITY

Danube Online communication - IoT standard
Remote technical service
Management of laundries



ERGONOMICS

Drawer as fluff fill , stainless steel mesh
Biggest door diameters
Opening sense of door adjustable on site



MAINTENANCE

Hinged control panel: easy and ergonomic access
Technical menu: statistics for technicians and maintenance
with external console (with console option)



OTHERS

Steam battery in stainless steel (up to 15 bar pressure)
Grey skinplate outer casing, stainless steel look
Transmission by belts
SOFT DRY - new drum with stamped holes
COOL DOWN - anti-wrinkle at the end of the cycle
Electric, gas and steam heating
CE approved

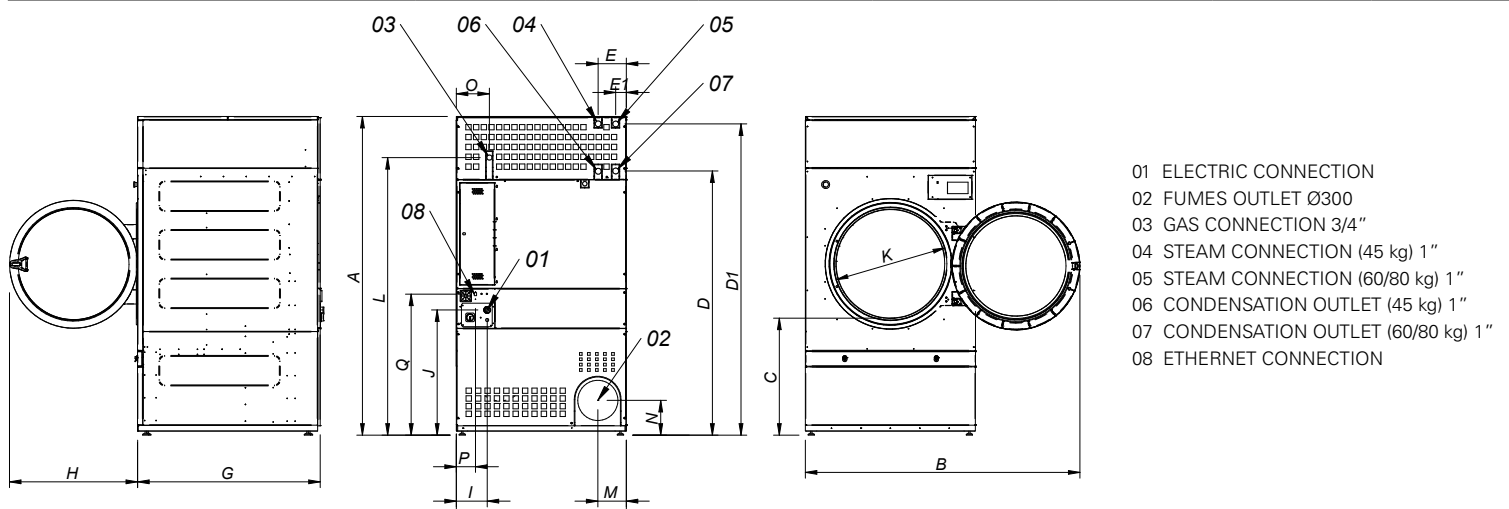


Automatic sliding door

OPTIONS

- CARE DRY - Humidity sensor
- **NEW** Automatic or manual sliding door
- **NEW** Tiltting front kit
- Double doorglass
- SPRINKLER - Fire Extinguishing System
- Opposite door opening
- Tropicalized model
- Perfume dosing/spraying system
- Back panel external air + filter
- Fluff filter with grid 0,6mm (standard is 0,3mm)
- Fluff filter with grid 1,2mm (standard is 0,3mm)
- Stainless steel front and side panels
- Front panel in stainless steel
- Low pressure steam battery
- Maritime wooden packing
- Ship voltage for electric models:
440V III 50/60 Hz No neutral
- Other voltages available

TECHNICAL DATA		DD-45 SILVER ET2		DD-60 SILVER ET2		DD-80 SILVER ET2	
CAPACITY							
Capacity 1/18 // Capacity 1/20	Kg	49,8 // 44,8		66,8 // 60,1		83,3 // 75,0	
Hourly Output (electr. // gas)	Kg/h	80,4 // 84,4		120 // 128,6		128,6 // 173,1	
Evaporation capacity (electr. // gas)	l/h	40,2 // 42,5		60,2 // 65,8		64 // 86,5	
DRUM							
Ø Drum	mm	1225		1225		1225	
Ø Door	mm	802		802		802	
Door center height	mm	1275		1275		1275	
Door base height	mm	874		874		874	
Drum length	mm	760		1020		1252	
Drum volume	l	896		1202		1500	
POWER							
Drum motor power	kW	0,75		1,1		1,5	
Fan motor power	kW	1,1		1,1		1,1	
Electric heating power	kW	54		72		72	
Total electric power (elec.model)	kW	55,9		74,25		74,65	
Gas heating power	kW	60		90		120	
Instant propane gas consumption (G31)	kg/h	5,14		7,71		10,28	
Instant natural gas consumption (G20)	m3/h	6,35		9,53		12,71	
Total electric power (gas model)	kW	1,9		2,25		2,65	
Steam heating power	kW	91,3		128		128	
Total electric power (steam model)	kW	1,9		2,25		2,65	
CONNECTIONS							
		ELECTRIC	GAS/STEAM	ELECTRIC	GAS/STEAM	ELECTRIC	GAS/STEAM
Tension 230V - I + N + T	Nº x mm2 / A	-	-	-	-	-	-
Tension 230V - III + T	Nº x mm2 / A	-	4 x 2,5 / 20A	-	4 x 2,5 / 32A	-	4 x 2,5 / 32A
Tension 400V - III + N + T	Nº x mm2 / A	5 x 35 / 100A	5 x 1,5 / 20A	5 x 50 / 125A	5 x 1,5 / 32A	5 x 50 / 125A	5 x 1,5 / 32A
Ø Gas inlet	BSP	3/4"		3/4"		3/4"	
OTHERS							
Net width / Gross width	mm	1.270/1.330		1.270/1.330		1.270/1.330	
Net Depth / Gross Depth	mm	1.106/1.185		1.366/1.455		1.598/1.705	
Net Height / Gross Height	mm	2.380/2.150		2.380/2.150		2.380/2.150	
Height without heating	mm	1950		1950		1950	
Net weight / Gross weight	Kg	395/430		529/575		657/715	
OTHERS							
Max airflow	m3/h	3.000		3.000		3.000	
Ø Fume exhaust	mm	300		300		300	
Sound level	dB	67		67		67	



	A	B	C	D	D1	E	E1	F	G	H	I	J	K	L	M	N	O	P	Q
DD-45	2380*	2045	874	1981	2311	211	80	1270	1106	956	248	935	802	2088	214	240	244	160	1053
DD-60	2380*	2045	874	1981	2311	211	80	1270	1366	956	248	935	802	2088	214	240	244	160	1053
DD-80	2380*	2045	874	1981	2311	211	80	1270	1598	956	248	935	802	2088	214	240	244	160	1053

* Measurement with legs mounted (30mm)

