

STD-18 SILVER PLUS TUMBLE DRYERS



EASY TOUCH 2

7" touch screen user friendly and programmable ET2
USB Connection. Online platform free of charge for
programming, telemetry, data analysis
Videos on display (ads, instructions, etc.)
37 languages



OUTSTANDING FEATURES

Reversing drum action as standard
Stainless steel drum as standard
Frequency inverter as standard



EFFICIENCY

DOUBLE FLOW - mixed axial-radial airflow
**New PLUS gas heated model: more power to achieve
more productivity.**



VERSATILITY

Make to order - customisation
WET CLEANING
OPL > Multivending - Standard OPL model easily
transformable to coin laundry uses



CONNECTIVITY

Danube Online communication - IoT standard
Remote technical service
Managemnt of laundries: OPL and COIN Remote
payment



ERGONOMICS

Drawer as fluff filter, stainless steel mesh
Biggest door diameters



MAINTENANCE

Hinged control panel: easy and ergonomic access
Technical menu: statistics for technicians and mainten-
ce with external console (with console option)



OTHERS

Grey skinplate outer casing, stainless steel look
SOFT DRY - new drum with stamped holes
COOL DOWN - anti-wrinkle at the end of the cycle
CE approved

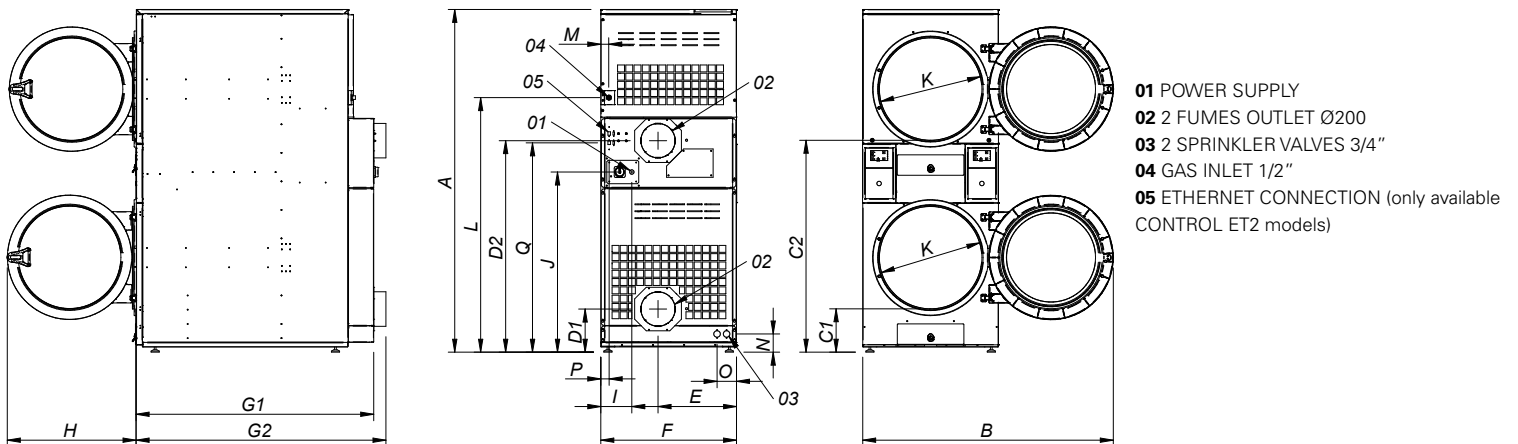


OPTIONS

- CARE DRY- Intelligent humidity control. Temperature probe at drum inlet.
- Double door glass
- SPRINKLER - Integrated Fire Extinguishing System
- Tropicalized model
- Opposite door opening
- Perfume dosing-spraying
- Back panel external air + filter
- Fluff filter with grid 0,3 mm (standard is 0,6mm)
- Stainless steel front and side panels
- Frontal panel in stainless steel
- Maritime wooden packing
- Ship voltage for electric models:
440V III 50/60 Hz No neutral
- Other voltages available

TECHNICAL DATA	UNIT.	STD-18 SILVER PLUS	
CAPACITY			
Capacity 1/18	Kg	36	
Capacity 1/20	Kg	34	
Hourly Output (gas)*	Kg/h	35,3	
Evaporation capacity (gas)*	l/h	70,7	
DRUM			
Ø Drum	mm	750	
Ø Door	mm	574	
Door center height	mm	547 / 1.522	
Door base height	mm	260 / 1.235	
Drum length	mm	746	
Drum volume	l	330	
POWER			
Drum motor power	kW	0,37x2	
Fan motor power	kW	0,55x2	
Electric heating power	kW	-	
Total electric power (elec.model)	kW	-	
Gas heating power	kW	24x2	
Instant propane gas consumption (G31)	kg/h	2,06 X 2	
Instant natural gas consumption (G20)	m3/h	2,54 X 2	
Total electric power (gas model)	kW	1,94	
CONNECTIONS		ELECTRICAL	GAS
Tension 230V - I + N + T	Nº x mm2 / A	-	3 x 1,5 / 20A
Tension 230V - III + T	Nº x mm2 / A	4 x 25 / 80A	3 x 1,5 / 20A
Tension 400V - III + N + T	Nº x mm2 / A	5 x 10 / 40	3 x 1,5 / 20A
Ø Gas inlet	BSP	1/2"	
DIMENSIONS / PACKING DIMENSIONS			
Net width / Gross width	mm	785 / 865	
Net Depth / Gross Depth	mm	1443 / 1457	
Net Height / Gross Height	mm	1980 / 2126	
Net weight / Gross weight	Kg	320 / 349	
OTHERS			
Max airflow	m3/h	750 x 2	
Ø Fume exhaust	mm	200 x 2	
Sound level	dB	64	

* It may vary depending on the type of heating, filter cleanliness or extraction type.



	A	B	C1	C2	D1	D2	E	F	G1	G2	H	I	J	K	L	M	N	O	P	Q
STD-18 PLUS	1980*	1447	259	1234	250	1223	454	785	1374	1443	735	180	1040	575	1472	45	103	100	49	1210

* Measurement with legs mounted (30mm)

