

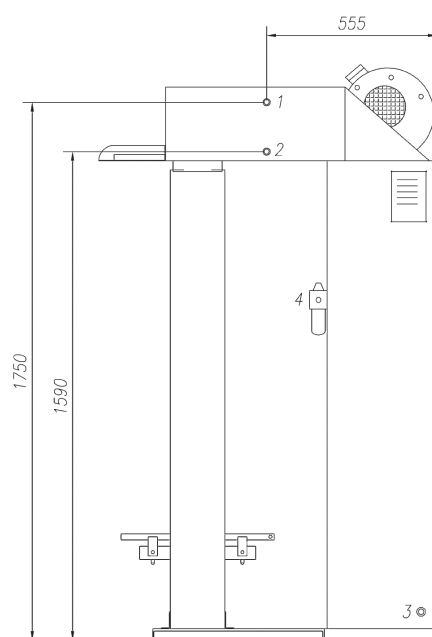
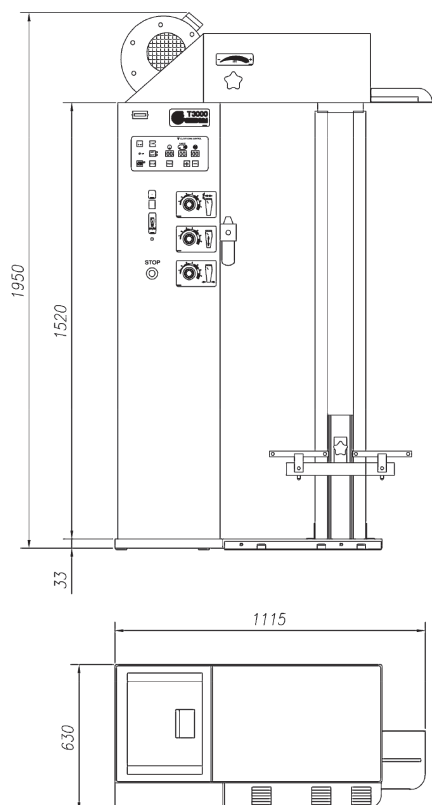
FEATURES

MFP / MFP-C

- **TWO AVAILABLE MODELS:**
 - **MFP:** to be connected to central steam supply
 - **MFP-C:** with built-in boiler
- With air-operated waistband and leg stretching device, for central steam and compressed air supplies.
- Steam model can be installed with steam generator GV-24 - 12 kw.
- Side waistband stretching device.
- Height adjustable leg stretching carriage and leg clamps made of stainless steel.
- Built-in three phases fan. Air heating device.
- Electronic card for the setting of 9 ironing cycles in total.
- Ironing cycle controlling: steaming time, steam/air time, drying time.
- Three pressure regulators (for leg clamps, waistband stretcher and leg stretching carriage).
- Switch for the exclusion of the leg stretching carriage.
- Manual size indicator.
- Mechanical airflow regulator.
- It needs compressed air, 5 bar - 40 NI/min.
- Tension 230/400V III 50/60 Hz



TECHNICAL DATA	UNIT.	MFP-C	MFP
GENERAL DETAILS			
Boiler	-	Yes (5 lt)	No
Compressor	-	No	No
Group of Iron	-	-	-
Steam gun	-	-	-
POWER			
Vacuum Motor	HP	-	-
Pump Motor	HP	-	-
Compressor motor (Mod. with option)	HP	-	-
Boiler Heater (Mod. with option)	kW	6 kw	-
Fan motor	HP	1-1,5	1-1,5
CONNECTIONS			
Ø Water inlet	BSP	-	-
Ø Steam inlet	BSP	-	3/8"
Ø Condensate outlet	BSP	-	3/8"
Steam pressure	BAR	5	5
Steam Consumption	Kg/h	-	15-20
Ø Air inlet	BSP	1/4"	1/4"
Ø Air pressure	BAR	5	5
Ø Air Consumption	NI/min	40	40
DIMENSIONS / PACKING DIMENSIONS			
Net width / Gross width	mm	1.115 / 1.210	1.115 / 1.210
Net depth / Gross depth	mm	630 / 780	630 / 780
Net height / Gross height	mm	1.950 / 2.100	1.950 / 2.100
Net weight / Gross weight	kg	165 / 225	119 / 175
Volume	m ³	1,37 / 1.98	1,37 / 1,98
OTHERS			
Voltage	Hz	230/400V III 50-60	230/400V III 50-60
Sound level	dB	70	70



01. Steam inlet
02. Condensate purge
03. Inlet electrical power
04. Compressed air inlet